

R520X 2-channel receiver user manual

I. Safety Instruction

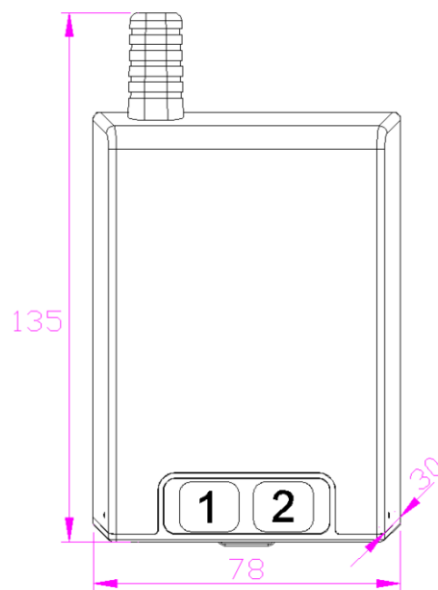
1. For security please read the user manual carefully before initial operation;
2. Please be sure the power is off before connecting, the product is produced without fuse;
3. Please clear all memories before initial operation. (Please see the deleting all transmitter).
4. Don't PROG, during channels are switching, in order to prevent misoperation;
5. The receiver will be interfere with same frequency products.(Wireless control system work in the same frequency range);
6. Prevent using this system to control the high risk equipment. (such as crane);
7. This manual control, wireless receiving equipment must not endanger life or property during the running failure or its security risks have been eliminated;
8. Linking wires shouldn't be too long, in order to prevent unstable work.

II. Technical Specification

1. Working voltage: 85V-265V AC
2. Temperature range: -20℃ to 60℃
3. Working frequency: 433.92MHz
4. Transmitter stored: Rolling code : 30-300PCS
Fixed code: 60-600PCS
5. Loading capacity: 0.5HP/ 240VAC
6. Weight: 133g
7. DIP set up:

	DM1	DM2
ON	Channel 1 latch	Channel 2 latch
OFF	Channel 1 non-latch	Channel 2 non-latch

III: Product appearance size



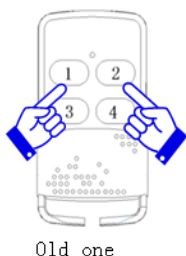
IV: Operation

1: Learning Transmitter: Press the learning button of the receiver, then LED is red. Press any one of the transmitter twice times, LED flickers and continues on several seconds, then off. It is indicated the learning is successful.

2: Deleting transmitter: Press the learning button for a long time, the indicating lamp is red for 8 seconds, and then off, release the learning button, LED is red for 2 seconds and then off; complete the deleting transmitter.

3: Latch(Impulse) or non-latch(Deadman) options: In dial switch S2 [1], [2] correspond latch and non-latch switch of receiver output channel 1,2; Setting dial switch to off, It is non-latch.

4: Self-learning function: Use the transmitter that already has been learned as old transmitter, press button 1 and button 2 at the same time and then press button 2 to let the receiver enters into the learning process .In this way , new transmitter can be learned refer 4.1 without press the learning button S1 on the receiver.



STEP 1:
Use the trasmitter that already has been learned as old transmitter, press button 1 and button 2 at the same time



STEP2:
then press button 2 to let LED turns into red. New transmitter can be learned.



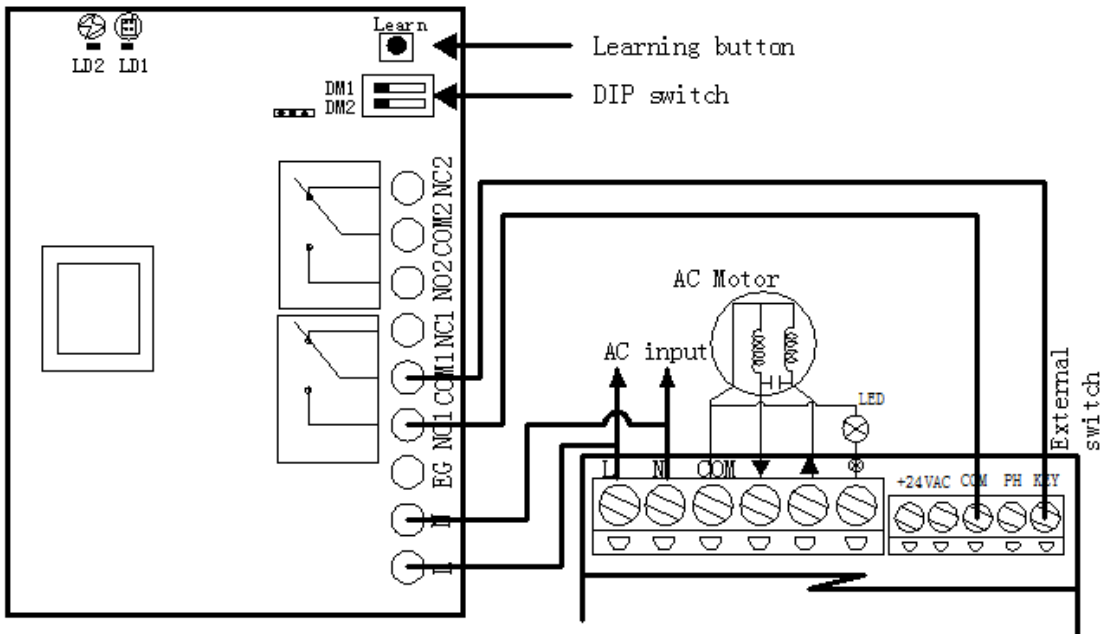
STEP3:
Press the same button on the new transmitter twice. The learning process done. In this way , new transmitter can be learned without pressing the learning button on the control board.

5: Transmitter control: After completing learning transmitter, the button 1/2 of transmitter can control the channel 1,2 of receiver respectively.

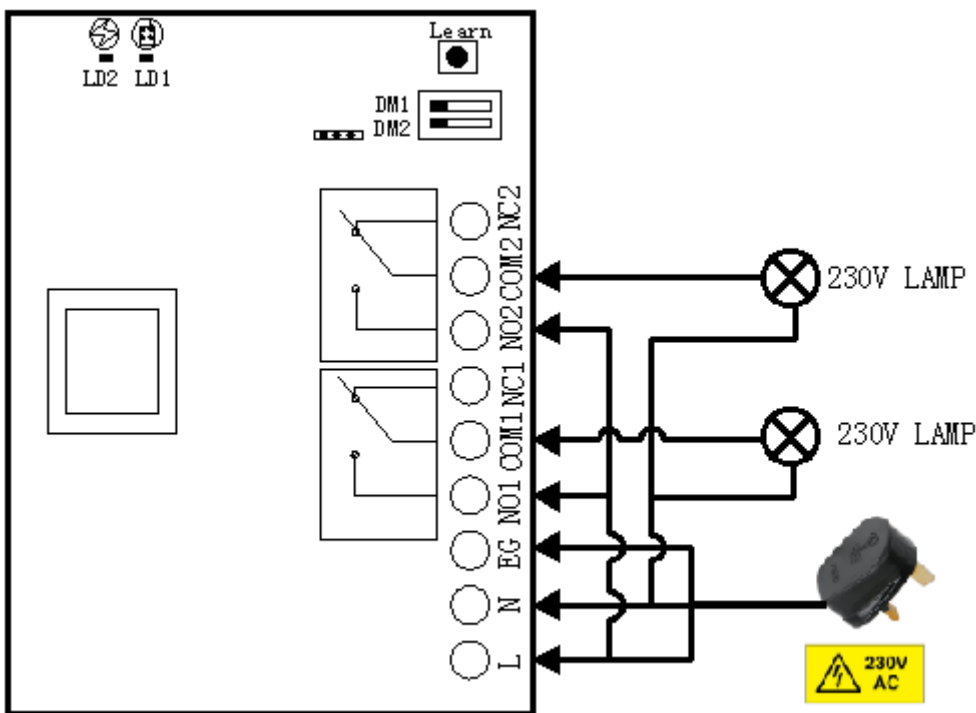
6: The function of external PVC button 1/2 is the same as the button 1/2 of transmitter.

V: Connection diagram

Door control sample graph



Lamp control sample graph



V: The difference of model and specification

MODLE	R5201	R5202	R5203	R5204	R5205	R5206	R5207	R5208
Frequency	433.92MHZ							
Code	Rolling				Fixed			
Transmitter stored	30	30	300	300	60	60	600	600
Color	Black	White	Black	White	Black	White	Black	White

The interpretation and ownership of this manual belong to Hiland company. Any change of the product can be without prior notice.